



## Close-coupled Centrifugal Pump

Type PCM

### APPLICATIONS

- Residential
- Agriculture
- Construction
- Light industrial usage

#### *Single stage Centrifugal Pump*

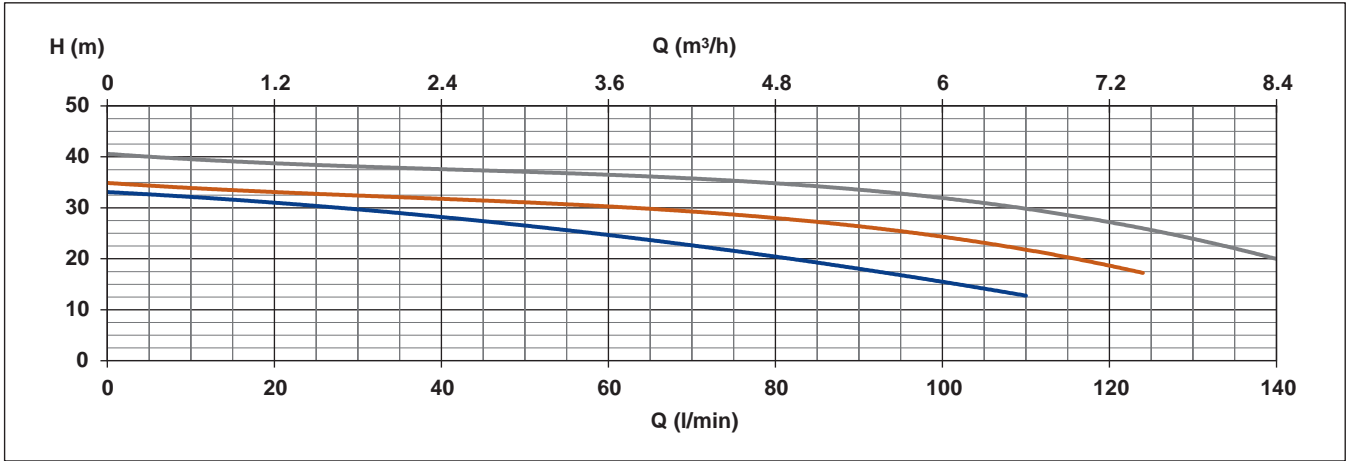
- Close coupled
- Quiet operation
- Single-phase motor with better heat dissipation through specially designed cooling fins
- Single-phase 2-pole motor for standard 240V, 50Hz power supply
- Nozzles with BSP thread, Suction 1" & 1 ¼" x Discharge 1" used for clean water
- Maximum Flow: 8.4m<sup>3</sup>/h
- Maximum Pressure: 40 m

### SPECIFICATIONS

- Cast Iron Casing
- Bronze impeller
- Stainless steel shaft end  
(prevents premature corrosion)
- Mechanical seal: Graphite and ceramic faces
- Spring in 304 stainless steel and elastomer (rubber)

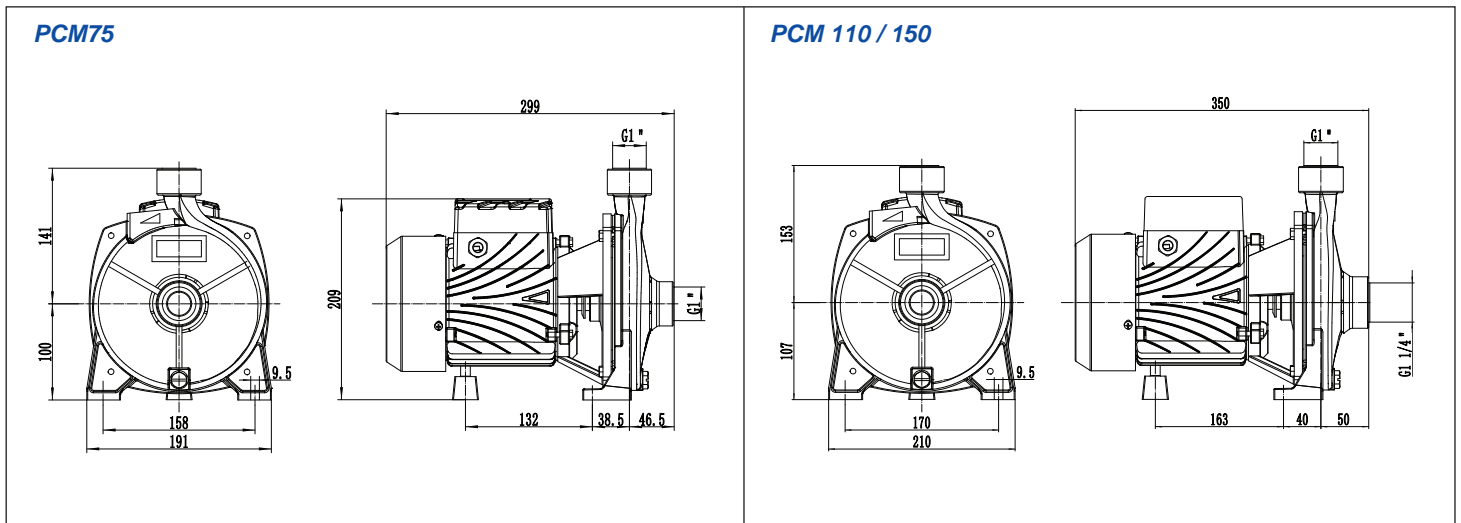


## PERFORMANCE CURVE



| Pump Type             | Power |     | Max Current<br>A | l/min<br>m³/h | Q = Capacity |      |      |      |      |      |      |      |
|-----------------------|-------|-----|------------------|---------------|--------------|------|------|------|------|------|------|------|
|                       | kW    | HP  |                  |               | 0            | 20   | 40   | 60   | 80   | 100  | 120  | 140  |
|                       |       |     |                  |               | 0            | 1.2  | 2.4  | 3.6  | 4.8  | 6    | 7.2  | 8.4  |
| <b>H = Total Head</b> |       |     |                  |               |              |      |      |      |      |      |      |      |
| PCM75                 | 0.75  | 1.0 | 5.3              | m             | 33.1         | 31.0 | 28.2 | 24.7 | 20.4 | 15.5 |      |      |
| PCM110                | 1.1   | 1.5 | 8.1              | m             | 34.9         | 33.1 | 31.8 | 30.3 | 28.0 | 24.3 | 18.7 |      |
| PCM150                | 1.5   | 2.0 | 8.9              | m             | 40.6         | 38.7 | 37.6 | 36.5 | 34.9 | 31.9 | 27.1 | 20.0 |

## DIMENSION



\* Dimensional details are provided for reference only.  
 \* All specifications are subject to change without prior notice.



**EBARA Pumps Malaysia Sdn Bhd**  
 6, Jalan TP3, UEP Subang Jaya Industrial Park,  
 47620 Subang Jaya, Selangor, Malaysia.  
 Tel : 03-8023 6622 Fax : 03-8023 9355  
 Email : sales.epm@ebara.com  
 Website : www.ebara.com.my



Authorised dealer: