



EBARA AutoMatic PressControl

Type AM - PC

OPERATIVE FEATURES

- Quiet operation, thanks to EBARA design that makes this possible.
- Starts and stops the pump when the tap is opened or closed.
- Maintain pressure at a constant level during operation, eliminating hot/cold shower fluctuations.
- Shuts off the pump if loss of prime or dry-running occurs.
- Self-priming operation is required.
- Ensure your pump system to operate at optimum performance.
- Pump housing and impeller in AISI304 Stainless Steel.

PC CONTROLLER

PRESSCONTROL (PC) is an electronic device ensuring optimum control of automatic water pressure system.

An intelligent combination of hydraulic and electronic know-how, PC controller monitors both pressure and flow and automatically controls the pump efficiently. No pressure tank required and no adjustment of pressure setting is required. Also, any risk of pump damage as a result of dry running is eliminated, as the device will automatically cut-off should the incoming water supply is insufficient.

Most importantly, **EBARA MLS BOOSTER** type MLS-PC is absolutely quiet, durable and simple to install.



Model : MLS Booster

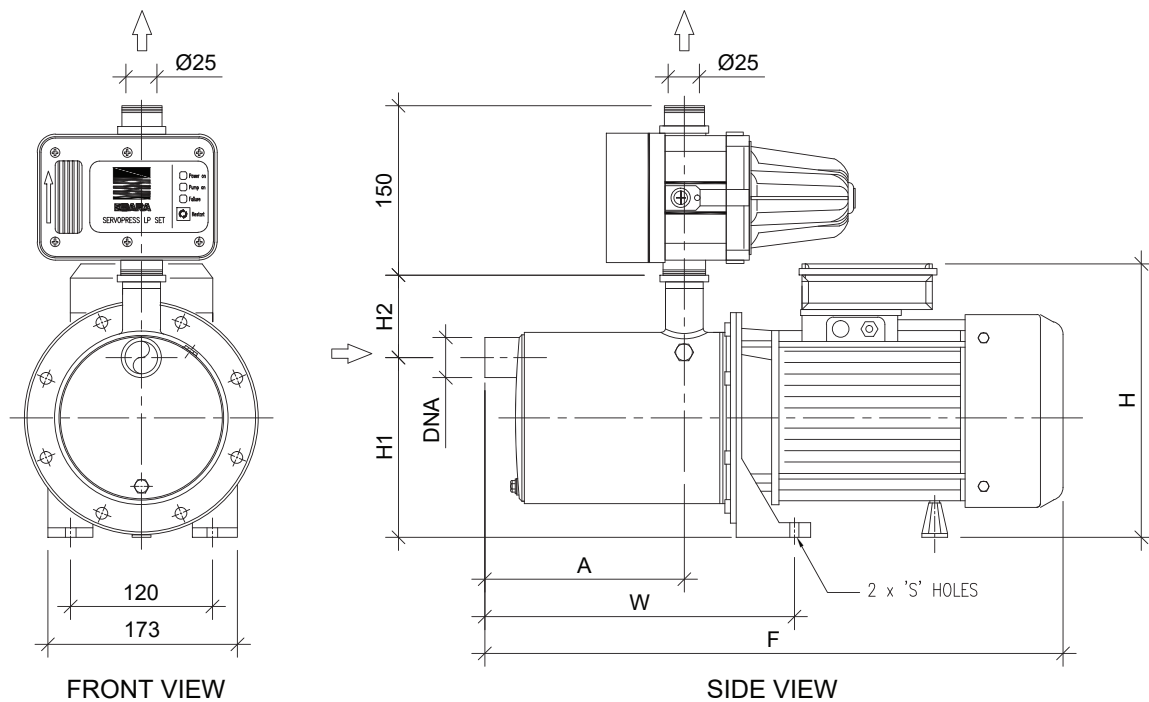
= 2850 min⁻¹

PUMP MODEL	P2		*Application	Q m ³ /h l/min	0	0.6	1.2	1.8	2.4	3.0	3.6	4.2	4.8	5.4	6.0	7.2	7.8	8.7	
	KW	HP			0	10	20	30	40	50	60	70	80	90	100	120	130	145	
MLS60-3M AM-PC	0.5	0.65		H (m)	30	29	26	22	17	12	7	-	-	-	-	-	-	-	
MLS60-4M AM-PC	0.7	0.95			40	39	35	31	25	18	10	-	-	-	-	-	-	-	-
MLS90-5M AM-PC	1.05	1.4			53	52	51	49	45	41	36	30	23	13	-	-	-	-	-

Q=FLOW RATE H=TOTAL DYNAMIC HEAD IN METERS

*For guidance only

DIMENSION



Pumps Type	kW	Dimensions (mm)							DNA
		A	F	H	H1	H2	W	S	
Single Phase									
MLS60-3M AM-PC	0.5	128.5	362.5	200	132	50	195.5	9	1" NPT
MLS60-4M AM-PC	0.7	153	410.5	201	132	50	220	9	1" NPT
MLS90-5M AM-PC	1.05	177.5	435	210	132	50	224.5	9	1" NPT

* Dimensional details are provided for reference only.

* All specifications are subject to change without prior notice.



EBARA Pumps Malaysia Sdn Bhd

6, Jalan TP3, UEP Subang Jaya Industrial Park,
47620 Subang Jaya, Selangor, Malaysia.

Tel : 03-8023 6622 Fax : 03-8023 9355

Email : sales.epm@ebaracom

Website : www.ebaracom.my



Authorised dealer: