



Multistage Horizontal Stainless Steel Centrifugal Pump Type MLH

APPLICATIONS

- Domestic
- Industrial
- Irrigation
- General boosting

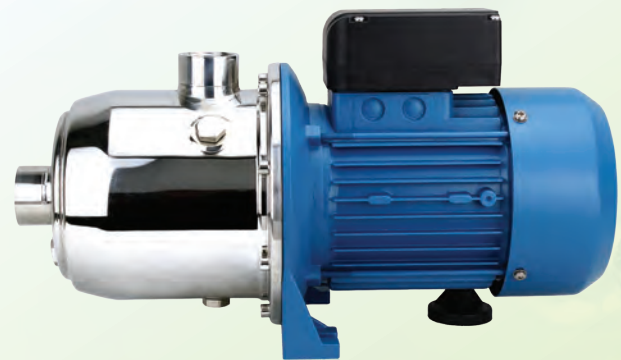
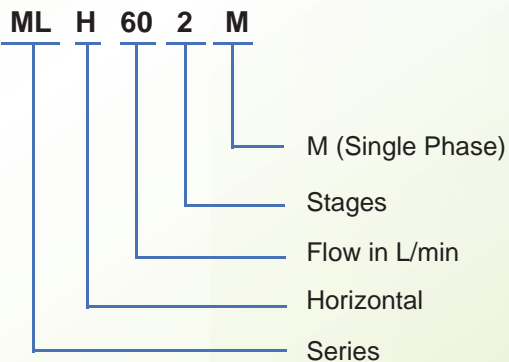
FEATURES

- High pressure up to 7.5 bar
- Capacity up to 170l/min (10.2m³/h)
- Low noise design
- Low water residual
- Easy assemble

MATERIALS

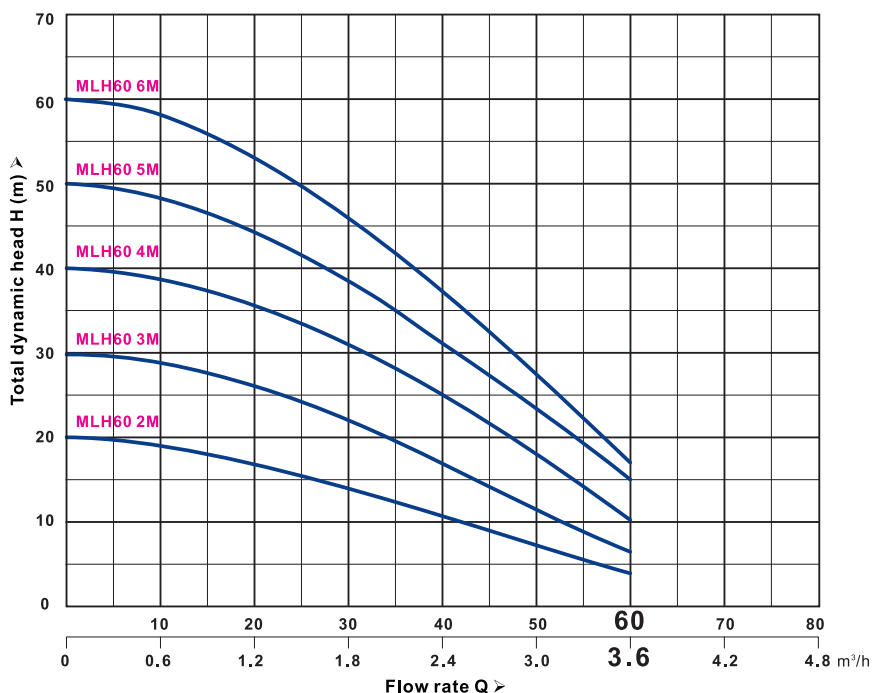
- Pump housing in AISI304 stainless steel
- Impellers in AISI304 stainless steel
- Diffuser in SABIC PPO (Noryl)
- Mechanical seal in Graphite / SiC / NBR /304
- IP55 motor
- Built-in thermal protector available for single phase motor
- Available in 1/50/240V or 3/50/415V

IDENTIFICATION CODE



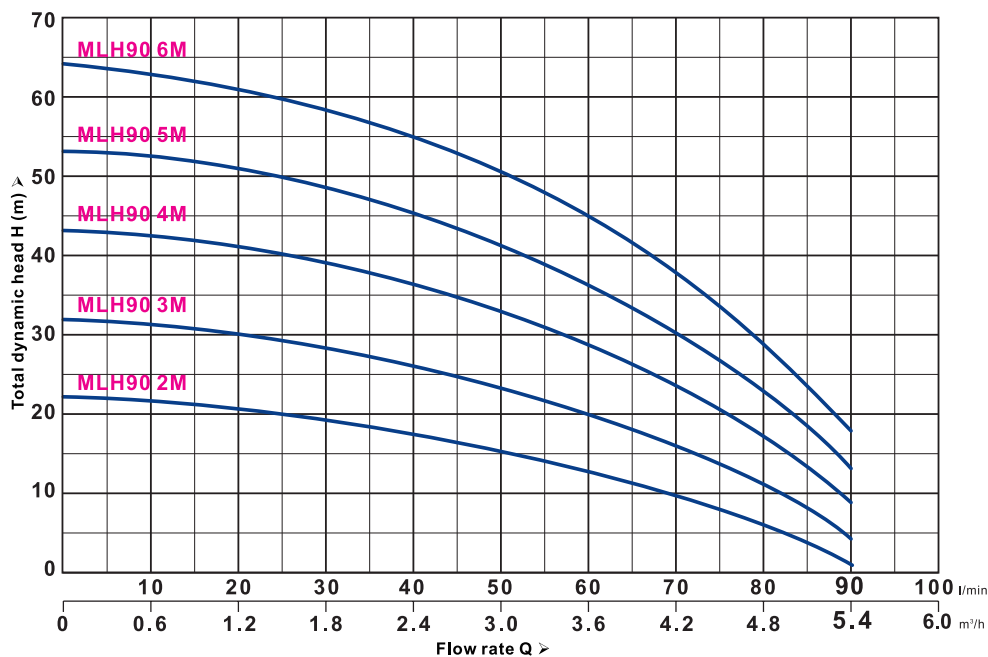
PERFORMANCE CHART

60L/min



PUMP MODEL		MOTOR		Q m ³ /h							
Single phase	Three phase	KW	HP	0	0.6	1.2	1.8	2.4	3.0	3.6	
MLH60 2M	MLH60 2	0.37	0.5	0	10	20	30	40	50	60	
MLH60 3M	MLH60 3	0.5	0.65	20	19	17	14	11	7	4	
MLH60 4M	MLH60 4	0.7	0.95	30	29	26	22	17	12	7	
MLH60 5M	MLH60 5	0.85	1.15	40	39	35	31	25	18	10	
MLH60 6M	MLH60 6	1.0	1.3	50	48	44	38	31	24	15	
				60	58	53	46	37	28	17	

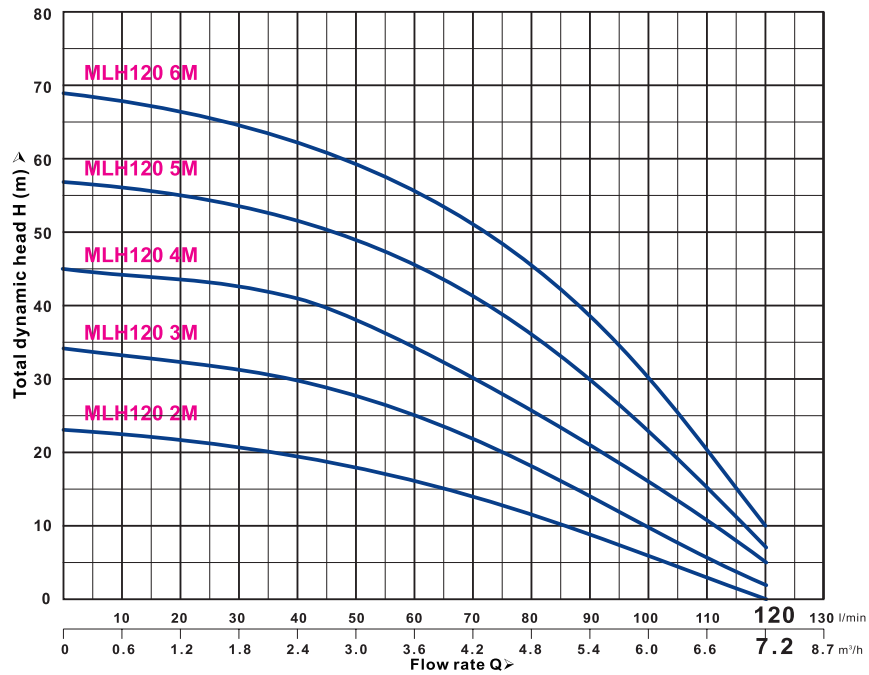
90L/min



PUMP MODEL		MOTOR		Q m ³ /h											
Single phase	Three phase	KW	HP	0	0.6	1.2	1.8	2.4	3.0	3.6	4.2	4.8	5.4		
MLH90 2M	MLH90 2	0.45	0.6	0	10	20	30	40	50	60	70	80	90		
MLH90 3M	MLH90 3	0.75	0.95	22	21	20	19	17	15	13	10	6	2		
MLH90 4M	MLH90 4	0.85	1.15	32	31	30	28	26	23	20	16	11	4		
MLH90 5M	MLH90 5	1.05	1.4	43	42	41	39	36	33	29	24	17	9		
MLH90 6M	MLH90 6	1.3	1.65	53	52	51	49	45	41	36	30	23	13		
				64	62	61	58	55	50	45	37	28	17		

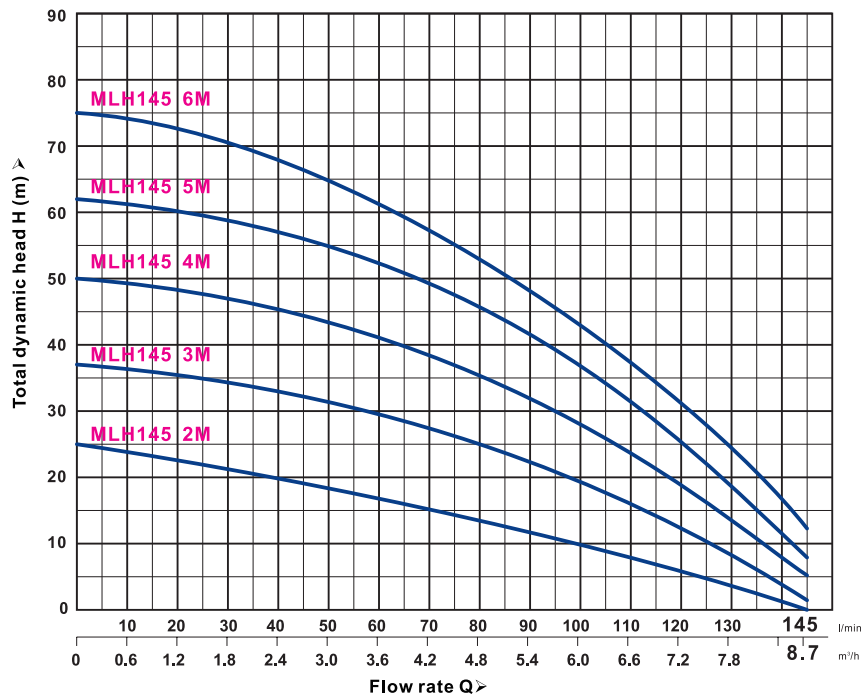
PERFORMANCE CHART

120L/min



PUMP MODEL		MOTOR		Q	0	1.2	2.4	3.6	4.8	6.0	7.2
Single phase	Three phase	KW	HP	l/min	0	20	40	60	80	100	120
MLH120 2M	MLH120 2	0.55	0.75	H (m)	23	22	19	17	12	6	0
MLH120 3M	MLH120 3	0.75	1.0		34	32	30	25	18	10	2
MLH120 4M	MLH120 4	1.10	1.3		45	43	41	34	26	16	5
MLH120 5M	MLH120 5	1.3	1.65		57	55	52	45	36	22	7
MLH120 6M	MLH120 6	1.5	2.0		69	67	62	56	45	30	10

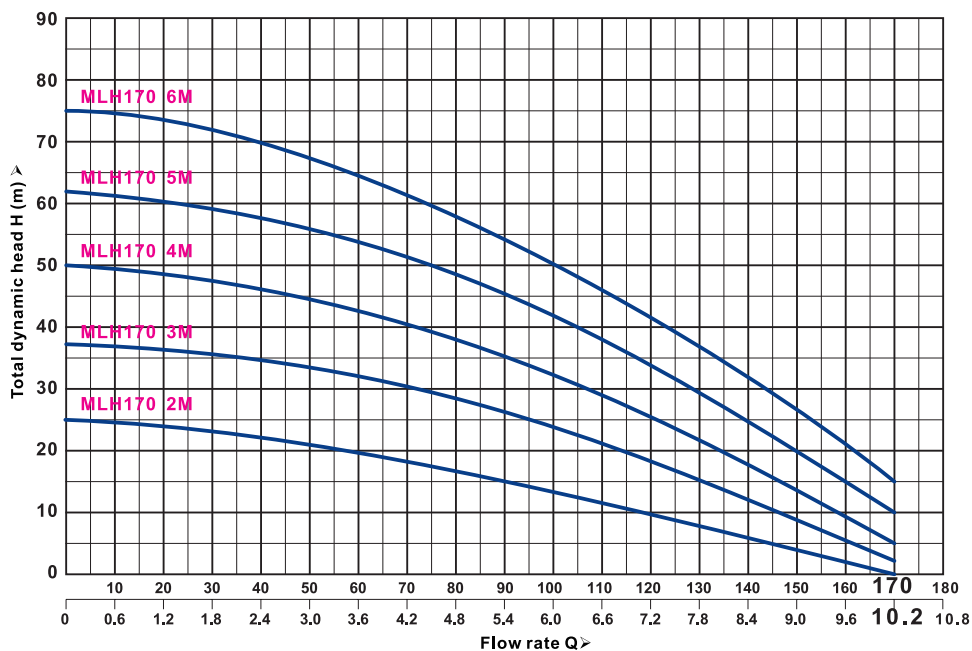
145L/min



PUMP MODEL		MOTOR		Q	0	1.2	2.4	3.6	4.8	6.0	7.2	7.8	8.7
Single phase	Three phase	KW	HP	l/min	0	20	40	60	80	100	120	130	145
MLH145 2M	MLH145 2	0.7	0.95	H (m)	25	23	20	17	14	10	6	4	0
MLH145 3M	MLH145 3	0.95	1.25		37	35	33	30	25	19	13	8	2
MLH145 4M	MLH145 4	1.3	1.65		50	48	45	41	35	28	18	14	5
MLH145 5M	MLH145 5	1.5	2.0		62	60	57	52	46	37	25	19	7
MLH145 6M	MLH145 6	1.85	2.5		75	73	68	62	53	43	31	25	12

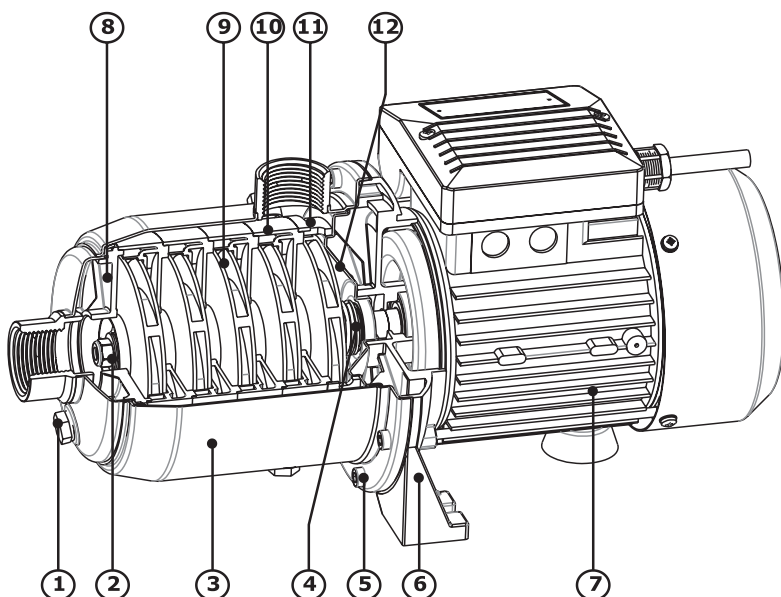
PERFORMANCE CHART

170L/min



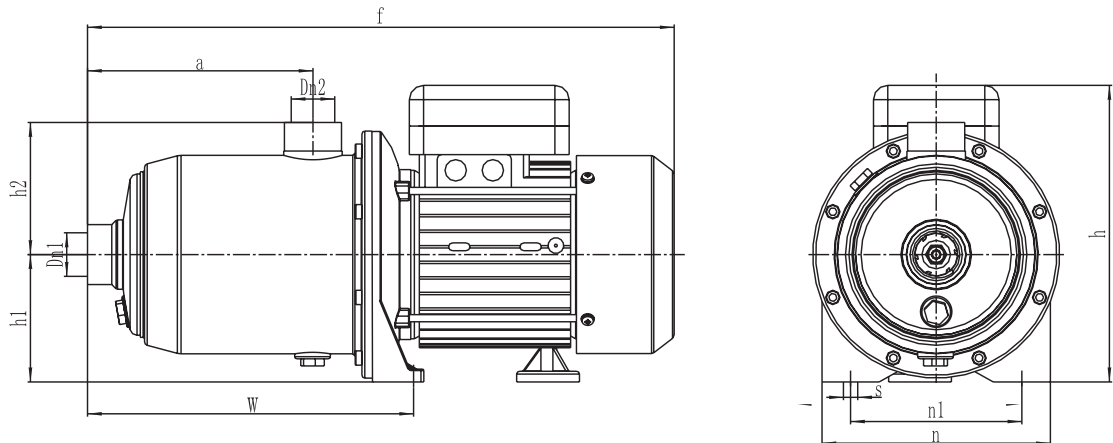
PUMP MODEL		MOTOR		Q	0	1.2	2.4	3.6	4.8	6.0	7.2	8.4	9.6	10.2
Single phase	Three phase	KW	HP	m ³ /h	0	20	40	60	80	100	120	140	160	170
MLH170 2M	MLH170 2	0.75	1.0	H (m)	25	24	23	20	17	13	10	6	2	0
MLH170 3M	MLH170 3	1.1	1.45		37	36	35	32	28	23	18	12	6	2
MLH170 4M	MLH170 4	1.4	1.85		50	49	46	43	38	32	25	17	9	5
MLH170 5M	MLH170 5	1.65	2.2		62	60	58	54	48	42	34	25	15	10
MLH170 6M	MLH170 6	2.1	2.8		75	73	70	65	58	50	42	32	21	15

SECTIONAL VIEW



Item	Description
1	Prime and drain plugs
2	Nut
3	Pump housing
4	Mechanical seal
5	Screw
6	Motor front cover
7	Motor
8	Diffuser cover
9	Impeller
10	Diffuser 1
11	Diffuser 2
12	Pump cover board

DIMENSION



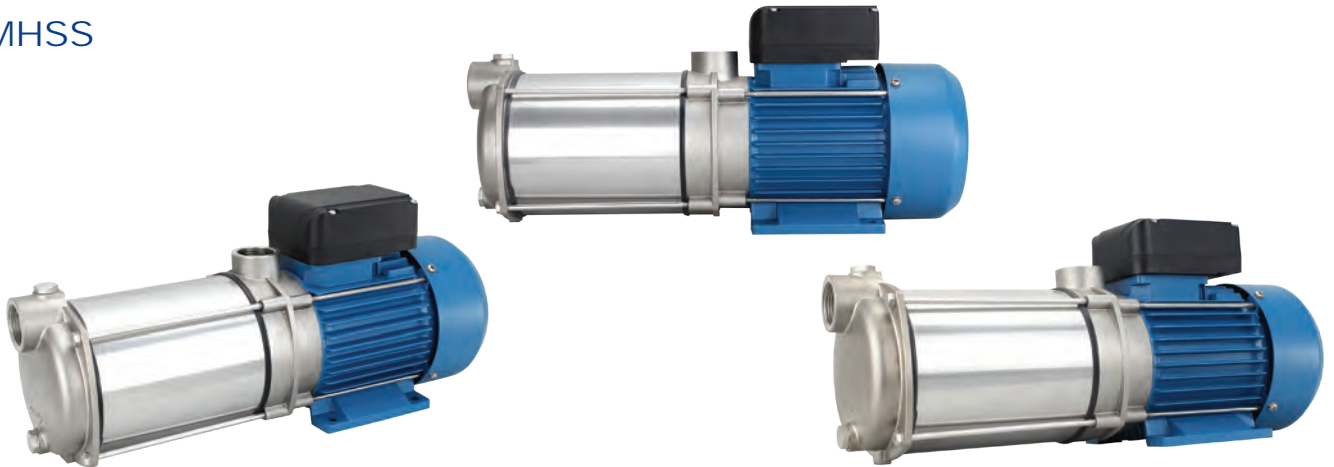
PUMP MODEL		Dn ₁	Dn ₂	DIMENSION [mm]									Gross Weight (Kg)	Net weight (Kg)
Single phase	Three phase			a	f	h	h ₁	h ₂	n	n ₁	w	s		
MLH60 2M	MLH60 2	1"	1"	81	313	200	87	93	173	120	146	9	8.9	8.5
MLH60 3M	MLH60 3	1"	1"	81	313	200	87	93	173	120	146	9	9.6	9.2
MLH60 4M	MLH60 4	1"	1"	105.5	363.5	210	87	93	173	120	170.5	9	10.8	10.4
MLH60 5M	MLH60 5	1"	1"	130	388	210	87	93	173	120	195	9	11.3	10.9
MLH60 6M	MLH60 6	1"	1"	154.5	412.5	210	87	93	173	120	219.5	9	13.7	13.3
MLH90 2M	MLH90 2	1"	1"	81	313	200	87	93	173	120	146	9	8.7	8.3
MLH90 3M	MLH90 3	1"	1"	81	339	210	87	93	173	120	146	9	9.8	9.4
MLH90 4M	MLH90 4	1"	1"	105.5	363.5	210	87	93	173	120	170.5	9	11.2	10.8
MLH90 5M	MLH90 5	1"	1"	130	388	210	87	93	173	120	195	9	12.6	12.2
MLH90 6M	MLH90 6	1"	1"	154.5	432.5	210	87	93	173	120	219.5	9	17.0	16.6
MLH120 2M	MLH120 2	1 ¼"	1"	81	339	210	87	93	173	120	146	9	9.7	9.3
MLH120 3M	MLH120 3	1 ¼"	1"	81	339	210	87	93	173	120	146	9	10.0	9.6
MLH120 4M	MLH120 4	1 ¼"	1"	105.5	363.5	210	87	93	173	120	170.5	9	11.8	11.4
MLH120 5M	MLH120 5	1 ¼"	1"	130	418	210	87	93	173	120	195	9	16.4	16.0
MLH120 6M	MLH120 6	1 ¼"	1"	154.5	451.5	234	89	93	173	120	229.5	10	19.4	19.0
MLH145 2M	MLH145 2	1 ¼"	1"	81	339	210	87	93	173	120	146	9	9.1	8.7
MLH145 3M	MLH145 3	1 ¼"	1"	81	339	210	87	93	173	120	146	9	10.9	10.5
MLH145 4M	MLH145 4	1 ¼"	1"	105.5	393.5	210	87	93	173	120	170.5	9	15.2	14.8
MLH145 5M	MLH145 5	1 ¼"	1"	130	427	234	89	93	173	120	205	10	18.8	18.4
MLH145 6M	MLH145 6	1 ¼"	1"	154.5	488.5	248	98	93	179	130	234.5	12	23.1	22.7
MLH170 2M	MLH170 2	1 ¼"	1 ¼"	81	339	210	87	93	173	120	146	9	11.3	10.9
MLH170 3M	MLH170 3	1 ¼"	1 ¼"	81	339	210	87	93	173	120	146	9	11.8	11.4
MLH170 4M	MLH170 4	1 ¼"	1 ¼"	105.5	402.5	234	89	93	173	120	180.5	10	17.9	17.5
MLH170 5M	MLH170 5	1 ¼"	1 ¼"	130	427	234	89	93	173	120	205	10	19.1	18.7
MLH170 6M	MLH170 6	1 ¼"	1 ¼"	154.5	488.5	248	98	93	179	130	234.5	12	23.3	22.9

ALSO AVAILABLE FOR SELF-PRIMING PUMPING APPLICATION

MHS



MHSS



MLS



* Dimensional details are provided for reference only.
* All specifications are subject to change without prior notice.



EBARA Pumps Malaysia Sdn Bhd
6, Jalan TP3, UEP Subang Jaya Industrial Park,
47620 Subang Jaya, Selangor, Malaysia.
Tel : 03-8023 6622 Fax : 03-8023 9355
Email : sales.epm@ebaracom
Website : www.ebaracom.my



Authorised dealer: