



Electric Multistage Self-Priming Pump Type MHSS

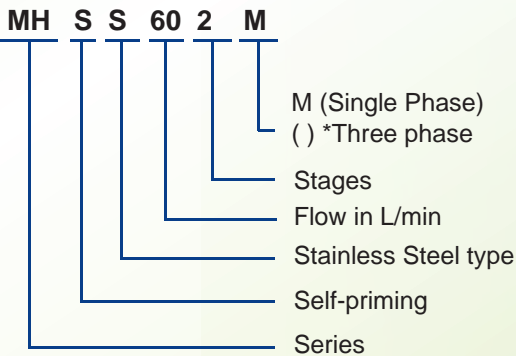
APPLICATIONS

- Domestic
- Industrial
- Irrigation
- General boosting

TECHNICAL DATA

- High pressure up to 8.0 bar
- Capacity up to 170 l/min (10.2m³/h)
- Low noise design
- Easy to assemble
- Max suction lift : - 3m
- Low weight & compact design
- Liquid temperature : 0 to +40°C

IDENTIFICATION CODE



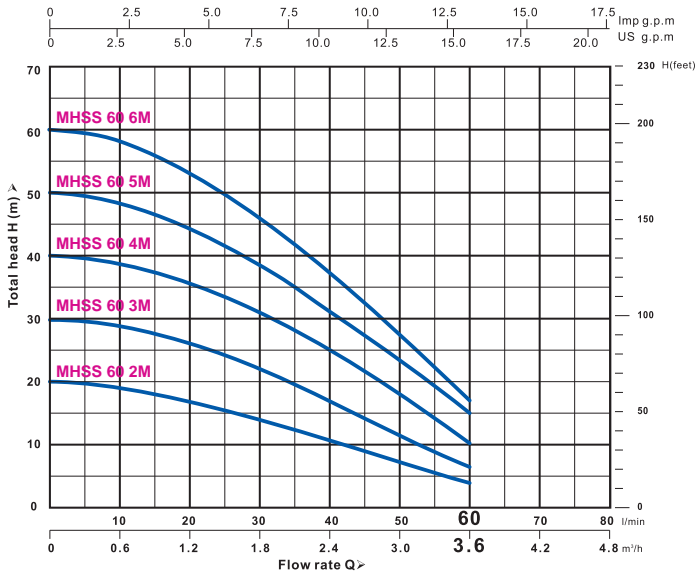
MATERIALS

- Pump body in AISI304 stainless steel
- Impellers in AISI304 stainless steel
- Mechanical seal in graphite/silicon carbide
- Voltages in Single phase : 220V-240V
Three phase : 380V-415V



PERFORMANCE CHART

60L/min

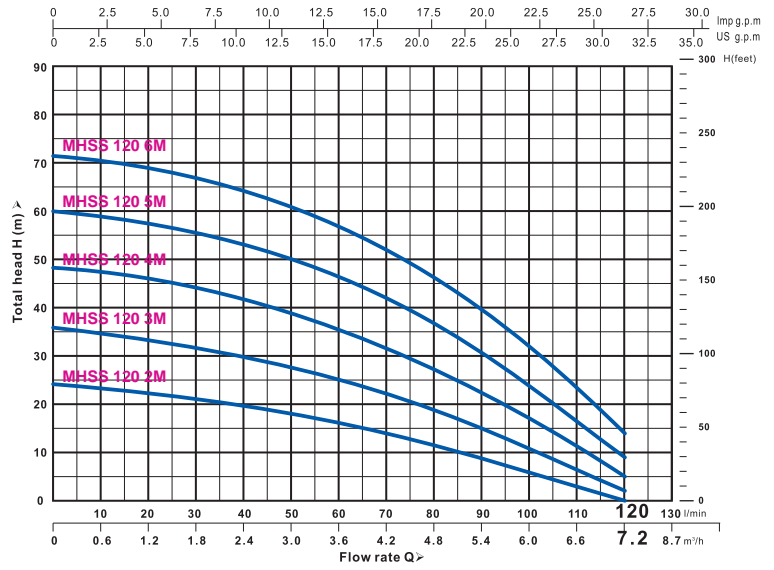


= 2850 min⁻¹

PUMP MODEL	INPUT			OUTPUT			Q m ³ /h	H (m)							
	KW	KW	HP	0	0.6	1.2		1.8	2.4	3.0	3.6	4.2	4.8	5.4	6.0
MHSS 60 2M	0.5	0.37	0.5	20	19	17	14	11	7	4					
MHSS 60 3M	0.65	0.5	0.65	30	29	26	22	17	12	7					
MHSS 60 4M	0.9	0.7	0.95	40	39	35	31	25	18	10					
MHSS 60 5M	1.1	0.85	1.15	50	48	44	38	31	24	15					
MHSS 60 6M	1.3	1.0	1.3	60	58	53	46	37	28	17					

Q=FLOW RATE H=TOTAL DYNAMIC HEAD IN METERS

120L/min

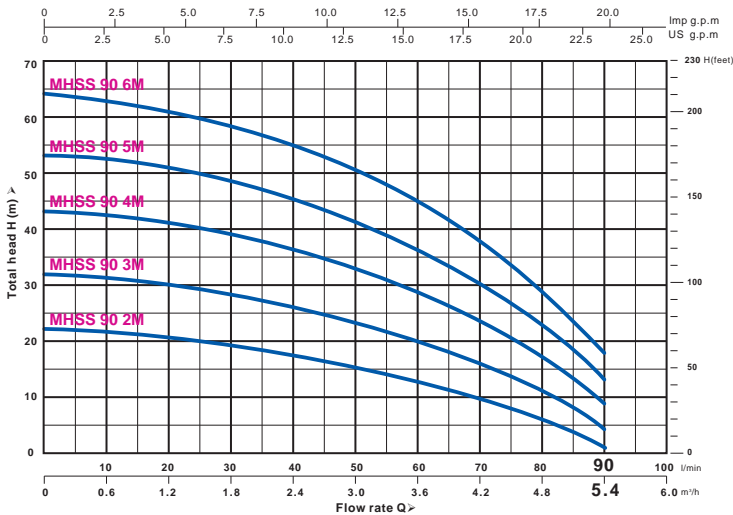


= 2850 min⁻¹

PUMP MODEL	INPUT			OUTPUT			Q m ³ /h	H (m)							
	KW	KW	HP	0	1.2	2.4		3.6	4.8	6.0	7.2	8.4	9.6	10.8	12.0
MHSS 120 2M	0.7	0.55	0.75	24	22	20	17	12	6	0					
MHSS 120 3M	1.0	0.75	1.0	36	33	30	25	18	11	2					
MHSS 120 4M	1.3	1.0	1.3	48	46	42	35	27	17	6					
MHSS 120 5M	1.65	1.3	1.65	60	58	53	46	37	24	10					
MHSS 120 6M	2.0	1.5	2.0	72	69	64	57	46	32	14					

Q=FLOW RATE H=TOTAL DYNAMIC HEAD IN METERS

90L/min

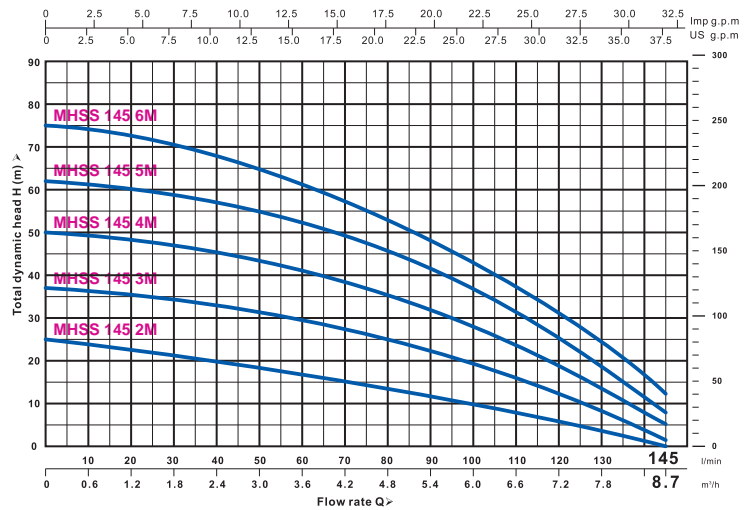


= 2850 min⁻¹

PUMP MODEL	INPUT			OUTPUT			Q m ³ /h	H (m)								
	KW	KW	HP	0	0.6	1.2		1.8	2.4	3.0	3.6	4.2	4.8	5.4		
MHSS 90 2M	0.6	0.45	0.6	22	21	20	19	17	15	13	10	6	2			
MHSS 90 3M	0.9	0.75	0.95	32	31	30	28	26	23	20	16	11	4			
MHSS 90 4M	1.1	0.85	1.15	43	42	41	39	36	33	29	24	17	9			
MHSS 90 5M	1.35	1.05	1.4	53	52	51	49	45	41	36	30	23	13			
MHSS 90 6M	1.65	1.3	1.65	64	62	61	58	55	50	45	37	28	17			

Q=FLOW RATE H=TOTAL DYNAMIC HEAD IN METERS

145L/min



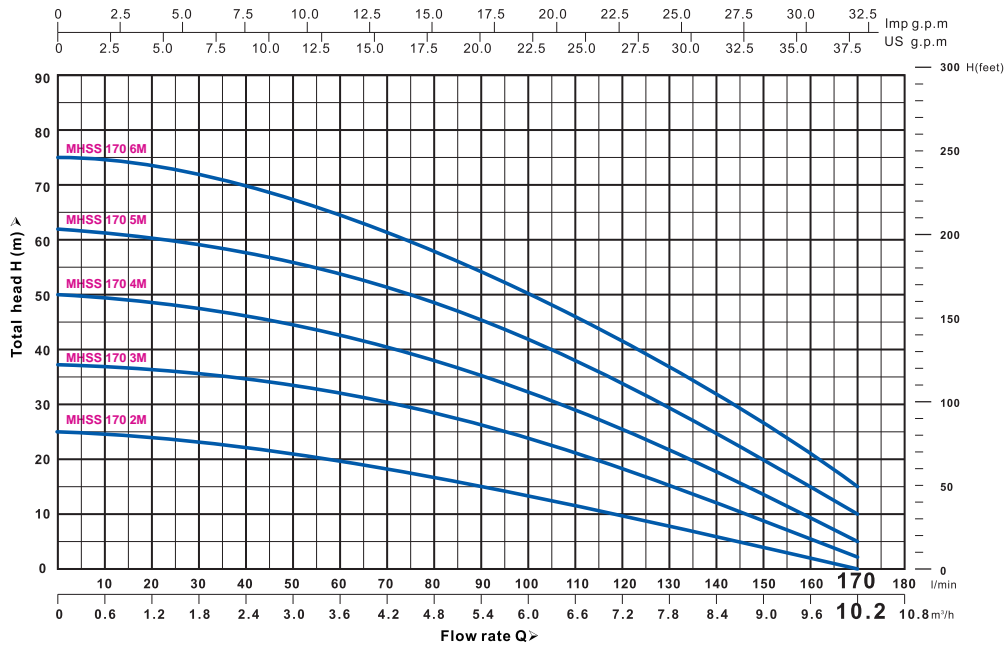
= 2850 min⁻¹

PUMP MODEL	INPUT			OUTPUT			Q m ³ /h	H (m)									
	KW	KW	HP	0	1.2	2.4		3.6	4.8	6.0	7.2	7.8	8.4	9.0			
MHSS 145 2M	0.90	0.7	0.95	25	23	20	17	14	10	6	4	0					
MHSS 145 3M	1.25	0.95	1.25	37	35	33	30	25	19	13	8	2					
MHSS 145 4M	1.65	1.3	1.65	50	48	45	41	35	28	18	14	5					
MHSS 145 5M	2.0	1.5	2.0	62	60	57	52	46	37	25	19	7					
MHSS 145 6M	2.4	1.85	2.5	75	73	68	62	53	43	31	25	12					

Q=FLOW RATE H=TOTAL DYNAMIC HEAD IN METERS

PERFORMANCE CHART

170L/min

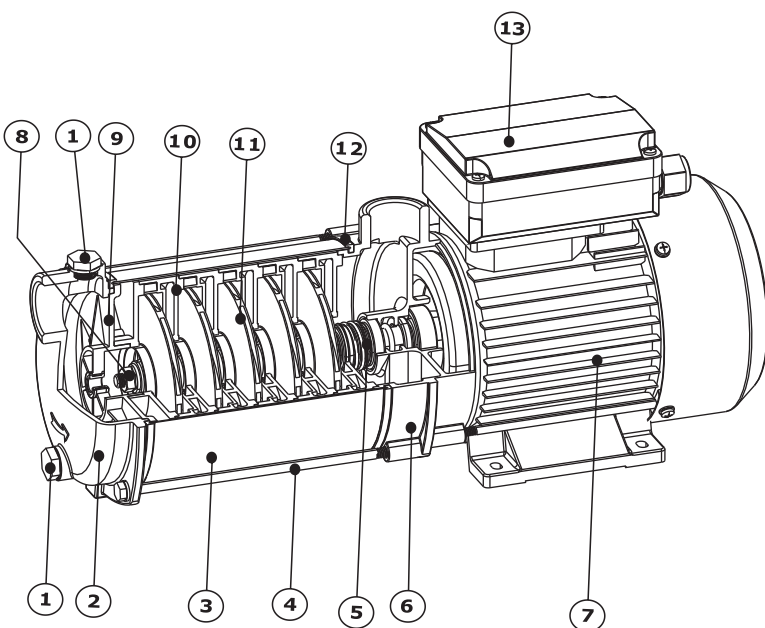


= 2850 min⁻¹

PUMP MODEL	INPUT KW	OUTPUT KW	HP	Q m ³ /h	H (m)									
					0	1.2	2.4	3.6	4.8	6.0	7.2	8.4	9.6	10.2
MHSS 170 2M	1.0	0.75	1.0	0	25	24	23	20	17	13	10	6	2	0
MHSS 170 3M	1.4	1.1	1.45	0	37	36	35	32	28	23	18	12	6	2
MHSS 170 4M	1.8	1.4	1.85	0	50	49	46	43	38	32	25	17	9	5
MHSS 170 5M	2.2	1.65	2.2	0	62	60	58	54	48	42	34	25	15	10
MHSS 170 6M	2.8	2.1	2.8	0	75	73	70	65	58	50	42	32	21	15

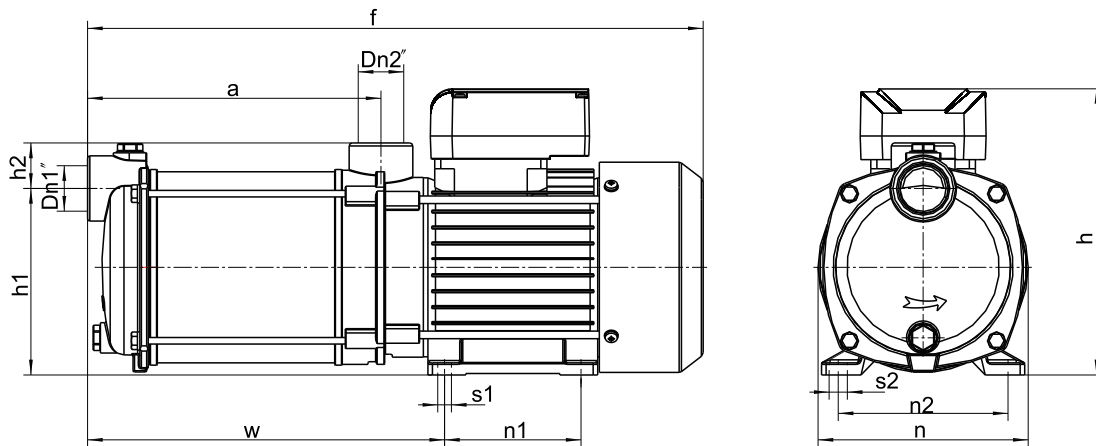
Q=FLOW RATE H=TOTAL DYNAMIC HEAD IN METERS

SECTIONAL VIEW



Item	Description
1	Prime and drain plugs
2	Suction mounting
3	Pump housing
4	Tie bolt
5	Mechanical seal
6	Discharge mounting
7	Motor
8	Nut
9	Self-priming cover
10	Diffuser
11	Impeller
12	Casing O-ring
13	Terminal box

DIMENSION



PUMP MODEL	Dn1	Dn2	DIMENSION [mm]										
			a	t	h	h1	h2	n	n1	n2	w	s1	s2
MHSS 60 2M	1"	1"	144.5	334.5	186	120	31.5	133	80	100	185	10	8
MHSS 60 3M	1"	1"	169	359	186	120	31.5	133	80	100	209.5	10	8
MHSS 60 4M	1"	1"	193.5	406	199	123	30	139.5	90	112	235.5	9	12
MHSS 60 5M	1"	1"	218	430.5	199	123	30	139.5	90	112	260	9	12
MHSS 60 6M	1"	1"	242.5	455	199	123	30	139.5	90	112	284.5	9	12
MHSS 90 2M	1"	1"	144.5	334.5	186	120	31.5	133	80	100	185	10	8
MHSS 90 3M	1"	1"	169	381.5	199	123	30	139.5	90	112	211	9	12
MHSS 90 4M	1"	1"	193.5	406	199	123	30	139.5	90	112	235.5	9	12
MHSS 90 5M	1"	1"	218	430.5	199	123	30	139.5	90	112	260	9	12
MHSS 90 6M	1"	1"	242.5	485	199	123	30	139.5	110	112	284.5	9	12
MHSS 120 2M	1.25"	1"	144.5	357	199	123	30	139.5	90	112	186.5	9	12
MHSS 120 3M	1.25"	1"	169	381.5	199	123	30	139.5	90	112	211	9	12
MHSS 120 4M	1.25"	1"	193.5	406	199	123	30	139.5	90	112	235.5	9	12
MHSS 120 5M	1.25"	1"	218	460.5	199	123	30	139.5	110	112	260	9	12
MHSS 120 6M	1.25"	1"	245.5	486	217	132	40	155.5	100	125	297	11	14
MHSS 145 2M	1.25"	1"	144.5	357	199	123	30	139.5	90	112	186.5	9	12
MHSS 145 3M	1.25"	1"	169	381.5	199	123	30	139.5	90	112	211	9	12
MHSS 145 4M	1.25"	1"	193.5	436	199	123	30	139.5	110	112	235.5	9	12
MHSS 145 5M	1.25"	1"	221	461.5	217	132	30	155.5	100	125	272.5	11	14
MHSS 145 6M	1.25"	1"	245.5	519.5	247	147	49	176	125	140	294.5	10	10
MHSS 170 2M	1.25"	1.25"	144.5	357	199	123	30	139.5	90	112	186.5	9	12
MHSS 170 3M	1.25"	1.25"	169	381.5	199	123	30	139.5	90	112	211	9	12
MHSS 170 4M	1.25"	1.25"	196.5	437	217	132	30	155.5	100	125	248	11	14
MHSS 170 5M	1.25"	1.25"	221	461.5	217	132	30	155.5	100	125	272.5	11	14
MHSS 170 6M	1.25"	1.25"	245.5	524.5	247	147	49	176	125	140	299.5	10	10

* Dimensional details are provided for reference only.

* All specifications are subject to change without prior notice.



EBARA Pumps Malaysia Sdn Bhd
 6, Jalan TP3, UEP Subang Jaya Industrial Park,
 47620 Subang Jaya, Selangor, Malaysia.
 Tel : 03-8023 6622 Fax : 03-8023 9355
 Email : sales.epm@ebara.com
 Website : www.ebara.com.my



Authorised dealer: