



Submersible Vortex Pump

Type DQVA

APPLICATIONS

- General purpose pumping
- Handling drain water
- Emptying pits and discharge into sewers
- For automatic dirty water pumping.

SPECIFICATIONS

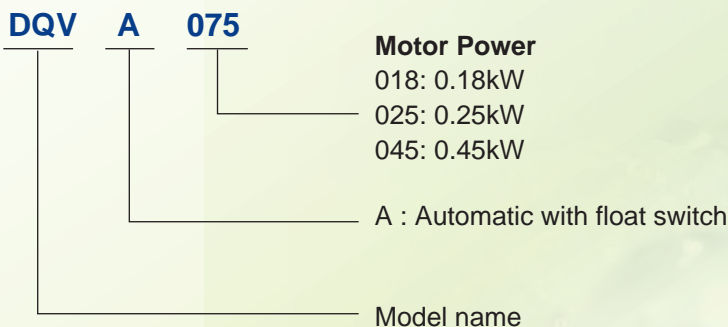
- Maximum liquid temperature : 40°C
- Maximum immersion : 4 m
- Liquid PH: 5~9
- Maximum passage of solids : 15 mm

TECHNICAL DATA

- Asynchronous 2 pole motor
- Insulation class: B
- Single-phase : 220 - 240V/50Hz
- Protection degree: IP68
- Supplied with 9 m cable length type H07RNF
- Pump available with float switch
- Automatic thermal overload protection for single phase version

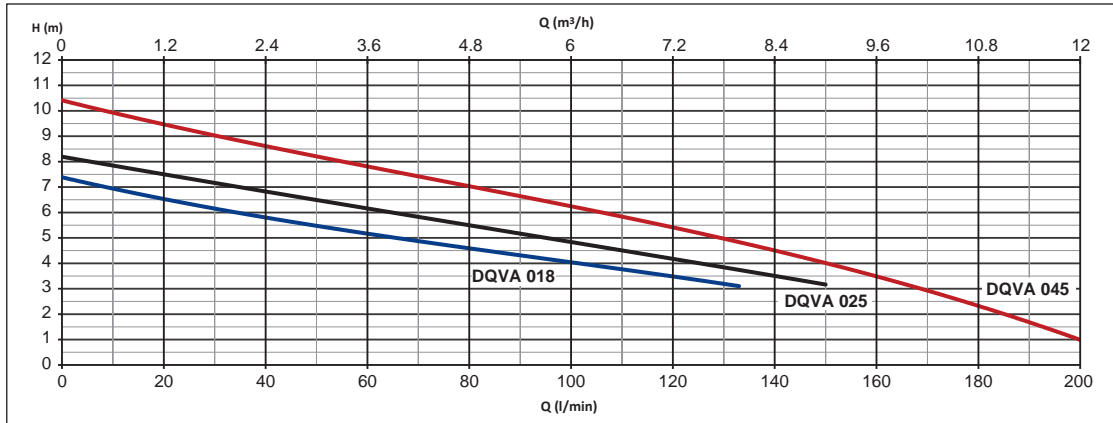


IDENTIFICATION CODE



Vortex Impeller

PERFORMANCE CURVE

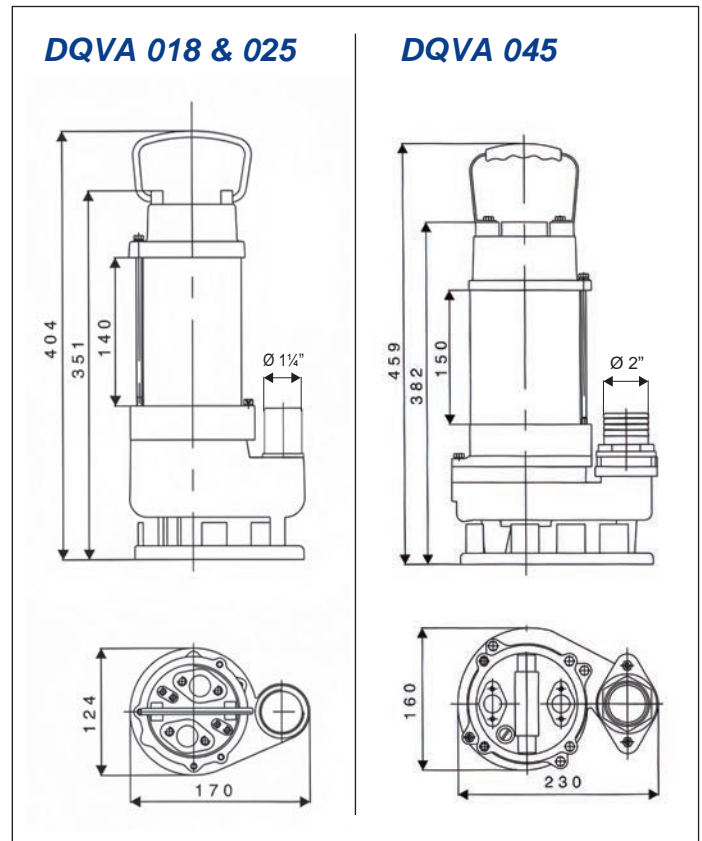


Pump Type	Power		Current	Discharge	Capacitor	Q = Capacity	H = Total Head												
	kW	HP					A	Nominal Size	µF	l/min	0	20	40	60	80	100	120	140	160
Single-Phase 240V 50Hz							m³/h	0	1.2	2.4	3.6	4.8	6	7.2	8.4	9.6	10.8	12	
DQVA 018	0.18	0.25	2.0	1 ¼"	12		m	7.4	6.5	5.8	5.2	4.6	4.0	3.5					
DQVA 025	0.25	0.35	2.5	1 ¼"	12		m	8.2	7.5	6.8	6.2	5.5	4.8	4.2	3.5				
DQVA 045	0.45	0.6	3.5	2"	12		m	10.4	9.5	8.6	7.8	7.0	6.3	5.4	4.5	3.5	2.3	1.0	

SPECIFICATIONS

		DQVA
Liquid	Type	Effluent Water (pH 5-9)
	Maximum Temperature	40 °C
	Max. Solid Passage Diameter	15 mm
Maximum Submergence		4 m
Construction	Impeller	Vortex
	Mechanical Seal	Oil lubricated, double mechanical seal
Materials	Casing	Cast Iron HT150
	Impeller	Cast Iron HT150
	Intermediate Casing	SUS201
	Shaft	AISI1045
Motor	Mechanical Seal	Upper Faces: Carbon / Ceramic, Lower Faces: Ceramic / Silicon Carbide Lubricating Oil: SAE 20
	Type	Air filled dry submersible, IP68
	Insulation Class	Class B
	Synchronous Speed	2 Pole 2850 rpm
	Voltage	220 - 240 V
	Phase	Single Phase
	Frequency	50 Hz
	Starting Method	Capacitor-start
	Protection	Built-in overload protection
	Bearings	Pre lubricated sealed bearings
Cable	Length	9 m
	Cable end	Type G Plug (UK Three-pin plug)

DIMENSION



* Dimensional details are provided for reference only.
* All specifications are subject to change without prior notice.



EBARA Pumps Malaysia Sdn Bhd
6, Jalan TP3, UEP Subang Jaya Industrial Park,
47620 Subang Jaya, Selangor, Malaysia.
Tel : 03-8023 6622 Fax : 03-8023 9355
Email : sales.epm@ebara.com
Website : www.ebara.com.my



Authorised dealer: